

## DPX 4 Pre-Installation Checklist

**Installation will not be scheduled until form is returned  
to Margaret Dellacamera via Fax # (914) 921-0995 or  
email: [margaret@mitsubishiimaging.com](mailto:margaret@mitsubishiimaging.com)**

Dealer Name: \_\_\_\_\_

Dealer Contact: \_\_\_\_\_

Phone Number: \_\_\_\_\_

Customer Name: \_\_\_\_\_

Installation Address: \_\_\_\_\_

\_\_\_\_\_

Customer Phone Number: \_\_\_\_\_

Customer Contact: \_\_\_\_\_

Pre-Press Contact: \_\_\_\_\_

Pressroom Contact: \_\_\_\_\_

Requested Installation Date: \_\_\_\_\_

*(SCHEDULE DATE WILL BE CONFIRMED BASED ON AVAILABILITY)*

## Options

What options have been ordered for the platesetter? None \_\_\_\_\_

2<sup>nd</sup> Cassette \_\_\_\_\_ 2<sup>nd</sup> Bacher Punch \_\_\_\_\_ Komori Punch \_\_\_\_\_

Trapping \_\_\_\_\_ Proofing Plug-In \_\_\_\_\_

List any other options:

\_\_\_\_\_

\_\_\_\_\_

## Prepress

### PREPRESS FRONTEND WORKSTATIONS

1. How many of each?    MAC \_\_\_\_\_ PC \_\_\_\_\_ Other \_\_\_\_\_  
If other is selected, please list type, and programs used.

---

---

2. Is there a file, network or domain server?    YES \_\_\_\_\_ NO \_\_\_\_\_  
If yes, please list type.

WINDOWS \_\_\_\_\_ MAC \_\_\_\_\_ UNIX \_\_\_\_\_ DOMAIN \_\_\_\_\_

3. Network Protocol    TCP/IP \_\_\_\_\_    Novell IPX \_\_\_\_\_

The RIP computer must have a static IP address. Please supply IP information for RIP computer.

IP Address    \_\_\_\_\_ . \_\_\_\_\_ . \_\_\_\_\_ . \_\_\_\_\_

Subnet mask    \_\_\_\_\_ . \_\_\_\_\_ . \_\_\_\_\_ . \_\_\_\_\_

Default Gateway    \_\_\_\_\_ . \_\_\_\_\_ . \_\_\_\_\_ . \_\_\_\_\_

DNS Server    \_\_\_\_\_ . \_\_\_\_\_ . \_\_\_\_\_ . \_\_\_\_\_

4. Network Cable: The RIP comes with an RJ 45 connector only. If any other connector is needed, contact Margaret at (914) 925 3246.

5. There must be a network data connection within 10 feet of the RIP computer.  
**Note: The network cable is not provided. Cat 5E recommended**

6. There must be a Network Administrator available for networking assistance during installation.

## Applications

7. What are your primary applications used for output (e.g., Quark, PageMaker, etc.)

1. \_\_\_\_\_
2. \_\_\_\_\_
3. \_\_\_\_\_

8. Does customer have imposition software, if so, please list name of imposition software.

\_\_\_\_\_

9. Does customer have trapping software, if so, please list name of trapping software.

\_\_\_\_\_

10. Does the customer have any CTP experience? YES \_\_\_\_\_ NO \_\_\_\_\_

11. Will press assistance be necessary? YES \_\_\_\_\_ NO \_\_\_\_\_

12. Type of press using plates from DPX 4.

WEB \_\_\_\_\_ Sheet fed \_\_\_\_\_ Other \_\_\_\_\_

Please list presses on site and dampener type

\_\_\_\_\_  
\_\_\_\_\_  
\_\_\_\_\_

Please list type of fountain solution currently used.

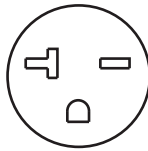
\_\_\_\_\_

## DPX 4 Electrical Requirements

220 VAC 20 amps, 50/60 Hz, 3 wire, single phase, dedicated line for platesetter.

\*\*\*\*\*Please note: The voltage must be above 210 VAC and below 240 VAC.

Voltage must also be balanced, less than 5% difference between phases. If voltage does not meet these requirements, a Buck/Boost transformer must be installed prior to installation. The DPX 4 comes with a power cord. Customer must furnish outlet and plug for power cord. Recommended outlet is a NEMA 6-20R, but you may use a twist lock plug.



**NEMA 6-20R**

## RIP Computer Electrical Requirements

100 – 120 VAC 15 amps. 50/60 Hz, dedicated line with **SURGE PROTECTOR POWER STRIP** for the RIP and related equipment.

**ALL ELECTRICAL REQUIREMENTS MUST BE COMPLETED BEFORE INSTALLATION WILL BE STARTED.**

Please sign below stating that all requirements will be finished before installation:

Customer Name: \_\_\_\_\_  
(Please Print)

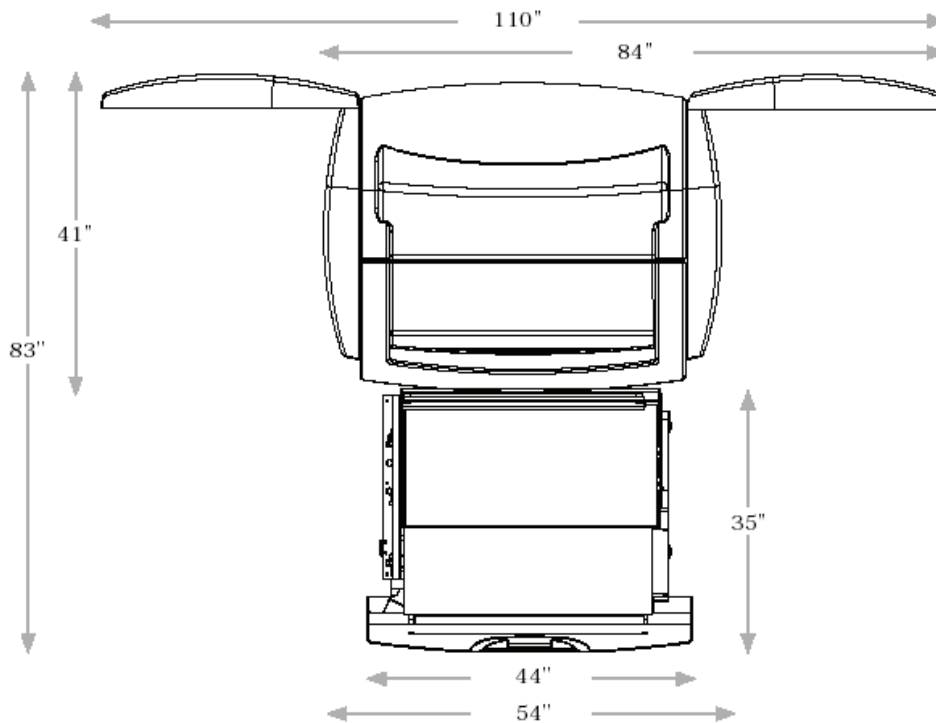
Title: \_\_\_\_\_  
(Please Print)

Signature: \_\_\_\_\_

### Space Requirements

Crate Dimensions	Height 69"	Machine Dimensions	Height 64"
	Width 47.5"		Width 54"
	Depth 58.5"		Depth 42"
	Weight 1285 lb.		Weight 1103lb.

#### MACHINE DIMENSIONS



Minimum door opening with covers removed: Width 31.5" (Note: Extra installation charges apply when moving through minimum door opening.)

Does machine need to be moved through minimum opening? YES \_\_\_ NO \_\_\_

Minimum floor space for machine only:	84" x 83". please add room for RIP PC
Minimum room height:	79" gas dampers in upper position 76" gas dampers in lower position

Is inside delivery necessary? YES\_\_\_\_ NO\_\_\_\_

Is a lift gate truck necessary? YES\_\_\_\_ NO\_\_\_\_

- There should be sufficient space around the DPX4 for installation and maintenance, adding chemistry, re-loading plate material, opening panels, doors, and cleaning.
- A small table for the RIP computer and monitor should be no more than 6 feet from the left side of the platesetter.

Does the customer currently run SDP or SilverMaster? SDP\_\_\_\_ SLM\_\_\_\_

Has the customer run plate samples prior to installation? YES \_\_\_\_ NO \_\_\_\_

What are the results of test printing? \_\_\_\_\_

---

---

---

### **Chemistry and Plate Material**

The DPX 4 requires SDP-FRS 175, SPEC 1520 Plate Material

#### **MINIMUM MATERIAL REQUIRED FOR INSTALLATION**

Please list material roll sizes needed for installation.

---

1 roll each size material used, 2 Cases SLM-AC, 1 Case SLM\_ST

## Operator Training

Please note: During installation, it is imperative that we have at least one pre-press person, and one press person available for a minimum of two full days of training. If any interruptions cause delays in training, there will be additional charges for training.

Please provide the names of persons in each area to be trained.

\_\_\_\_\_

Pre-press

Press

Any other additional information that you feel would be helpful for installation, please list below.

\_\_\_\_\_

\_\_\_\_\_

\_\_\_\_\_